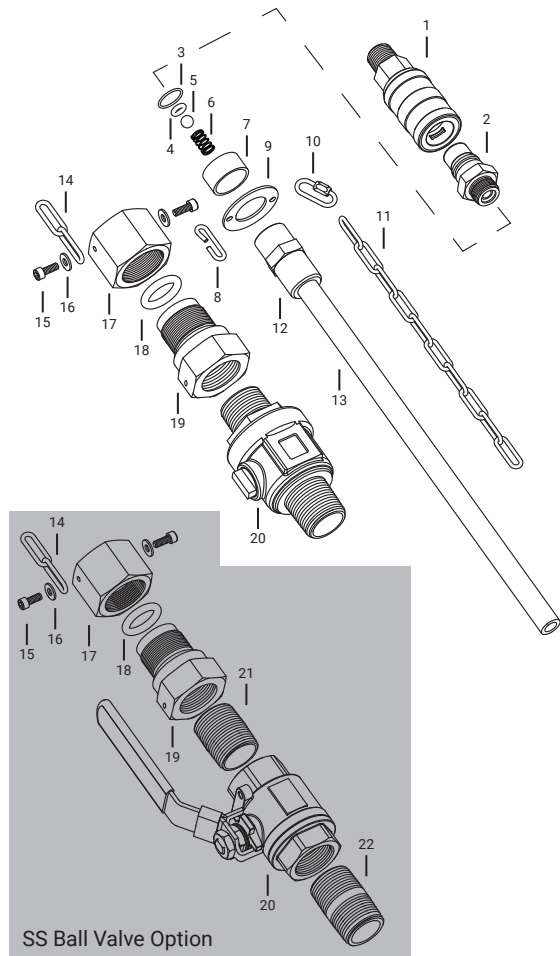


# COMPONENT LISTING



ID	Name	ID	Name
<b>Solution Tube Assembly</b>		13	Solution Tube
1	Female Half QD Coupling	<b>Main Connection Assembly</b>	
2	Male Half QD Coupling	14	Restraint Chain
3	Check Valve Seal	15	Restraint Screws (x2)
4	Check Valve Seat	16	Washers (x2)
5	Check Ball	17	Packing Nut
6	Check Spring	18	Compression O-ring
7	Spacing Collar	19	Solution Tube Adapter
8	Chain Plate	20	Isolation Valve
9	Restraint Hook	21	Upper Nipple*
10	Threaded Connector	22	Lower Nipple* (process connection)
11	Limit Chain		
12	Check Valve Lower Housing		

\*Stainless steel ball valve equipped quills.



## WARRANTY

All merchandise is warranted to be free from defects in material and factory workmanship. We will provide free of charge new products in equal quantities for any that prove defective within one year from date of shipment from our factory. Manufacturer shall not be liable for any loss, damage, or injury, direct or consequential, arising out of the use of or the inability to use the product. Before using, user shall determine the suitability of the product for its intended use and user assumes all risk and liability whatever in connection therewith. No claims for labor or consequential damage will be allowed. The foregoing may not be changed except by agreement signed by an officer of the manufacturer.

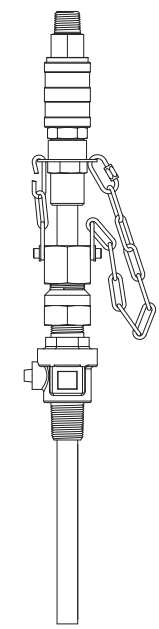


Please contact our Asia Pacific distributor:  
**H2O Rx**  
 Phone: 0409 784 236 or 0421 795 353  
 info@h2orx.com.au  
[www.h2orx.com.au](http://www.h2orx.com.au)



## INSTALLATION AND OPERATION MANUAL

Standard Service Retractable  
 Injection Quills with Check Valve and Quick  
 Disconnect Coupling  
 EB-125, EB-163



# INSTALLATION

## BEFORE INSTALLING

- Quills are shipped in their operating configuration. Installation may require that the solution tube be removed.
- Hot tapping is not recommended. If planning on hot tapping, please refer to the technical references available at [www.saftflo.com](http://www.saftflo.com) or contact SAF-T-FLO technical assistance.
- It is recommended that you do not disassemble the packing gland for installation of the quill. The threads of the gland will not be protected and may become damaged. Such damage is not covered under warranty.

## INSTALLING WITH SOLUTION TUBE INSERTED

1. Apply suitable thread sealant to the process connection thread.
2. Install the quill onto the process line by threading the main connection valve to the tap on the process line.
3. Connect the chemical feed line to the inlet of the quill.

## INSTALLING WITH SOLUTION TUBE REMOVED

1. With the valve in the closed position. Apply suitable thread sealant to the process connection thread.
2. Install the main connection valve onto the tap of the process line.
3. Insert the solution tube following the solution tube insertion instructions in this manual.
4. Connect the chemical feed to the inlet of the quill.

## AFTER INSTALLING / PRIOR TO OPERATING

1. Inspect the restraint system to ensure that it is properly in place and ready for operation. Check to verify that:
  - a. Restraint and limit chains are connected to the packing nut using the supplied screws and washers.
  - b. Restraint chain is hooked off onto the restraint hook and both chain and hook are fully extended.
  - c. Limit chain is connected the threaded connector and the jaw of the connector is closed.
2. Ensure all connections have been made prior to pressurizing.

# OPERATION

## PRECAUTIONS

- Process pressure should be reduced as much as possible prior to inserting or retracting the solution tube.
- Inspect restraint hardware to ensure it is in proper condition.
- Do not stand directly in line with the quill when operating.
- Take all necessary precautions to protect against possible chemical exposure when working with the quill.
- Do not use a wrench to tighten the packing nut. Hand tighten only.

## INSERTING THE SOLUTION TUBE

1. If not already so, uncouple the male and female disconnect halves. Connect the female half to the chemical feed.
2. Inspect restraint hardware to ensure it is suitable for use.
3. Insert the solution tube into the valve assembly until the tip seats against the ball of the closed isolation valve.
4. Lock off the limit chain to the threaded connector and close the jaw. Chain should be extended with no kinks and minimal slack.
5. Hand tighten packing nut until resistance is felt.
6. Slowly open the isolation valve. Allow the limit chain to take up the pressure. Tighten packing nut to seal against any leaks.
7. Once the valve is fully open, slide the solution tube through the valve assembly until the restraint chain can be secured to the restraint hook. The hook and chain should be taut- restraining the solution tube.
8. Connect the chemical feed to the quill by connecting the quick disconnect halves. To connect, slide back the outer sleeve of the female half and push the female half down onto the male half. Release the sleeve to allow it to lock the two halves.

## RETRACTING THE SOLUTION TUBE

1. Shutdown and isolate the chemical feed from the quill by detaching the female disconnect from the rest of the solution tube.
2. Maintain a firm grasp on the solution tube and push down into the valve assembly to remove tension from the restraint hook/chain.
3. Disconnect the restraint chain from hook and slowly back out the tube until the limit chain is fully extended.
4. With the limit chain fully extended. Close the valve, isolating from the process pressure.
5. Slowly back off the packing nut to bleed off any residual pressure.
6. With the quill isolated from the process pressure and residual pressure bled off, detach the limit chain from the threaded connector.
7. Remove the tube from the valve assembly.

# MAINTENANCE

## VISUAL INSPECTION

Periodic visual inspections should be done to examine the overall integrity of the quill and to verify that no leaks (chemical or process side) have developed.

## SOLUTION TUBE MAINTENANCE

Solution tubes may clog due to deposit formation. The rate and severity will depend on the chemistry of the application. After the quill is put into operation it should be periodically retracted to determine the rate at which the deposit formation is occurring. Maintenance cycles can then be based on observations.

Deposits can typically be removed by soaking the tube in warm water and then brushing the deposits off. In other cases a weak acid solution may be utilized.

## CHECK VALVE MAINTENANCE

Deposits can also impact the operation of the spring loaded check valve. With the tube removed, the internals of the check valve can be accessed by unthreading the upper housing from the lower check valve body.

Ensure that no deposits are impeding the operation of the ball and spring. Inspect seals to ensure they are in good condition. Check Valve Repair Kits, which include the spring, ball, and o-rings, are available.

## REPLACEMENT PARTS

The following sub-assemblies and kits are available for replacement:

- Solution Tube Assembly
- Main Connection Valve Assembly
- Check Valve Repair Kits
- Male Half Quick Disconnect
- Female Half Quick Disconnect

## NEED ASSISTANCE?

### CUSTOMER SERVICE

800-957-2383

M-F (7am - 4pm Pacific)

### INSTRUCTIONAL VIDEOS

<https://saftflo.com/videos>